

Outdoor enclosures type 35SA R for communication networks Incl. RUKO-lock cylinder



November 2023

The 35SA family



Doors

All enclosures have lift off doors; these can easily be removed for access during installation or maintenance works.

Lock Protection

Standard lock protection across the range is via Ruko type 205 mounted in a stainless steel housing.

Features:

- Built-in louvres for natural ventilation
- Enclosures have lift-off doors for simple and user-friendly access and hinged doors on large enclosures with louvres
- Insulated top section - avoids condensation damage to vital equipment
- Different types of backboards available
- Root for in-ground installation included on all models
- Unique for installation of CATV equipment

Approvals:

- Enclosure according to EN 62208
- IP 34D according to EN 60529
- IK 10 according to EN 62262

General information type 35SA



triarca

- **Outdoor enclosures for communication networks**
- **Type 35 SA enclosures are supplied with integrated root and condensation block as standard**
- **Five sizes enclosures have a lift of door in the front with a type Ruko lock cylinder (photo right)**
- **The 35 SA family comprises of 7 different sizes. Two largest sizes with hinged doors.**
- **Built in louvers for natural ventilation**
- **Different type of back boards available**
- **Constructed in 1,5 mm high quality, low-carbon galvanised steel**
- **Surface treatment with polyester coating RAL 7037 or standard green (similar to RAL 6014)**



Type 35SA with lift-off doors

Type	35SA-2R	35SA-2.5R	35SA-3R	35SA-4R	35SA-6R
Enclosure RAL 7037	235201	235251	235301	235401	235601
Cabinet Standard green ¹⁾	235205	235255	235305	235405	235605
Overall Dimensions					
H1: Height (mm)	600	700	700	700	700
W: Width (mm)	263	297	353	503	563
D: Depth (mm)	107	165	173	173	213
H2: Total height incl. root	1300	1375	1400	1400	1400
Mounting Volume					
Height (mm)	490	600	600	600	600
Width (mm)	220	254	310	460	520
Depth (mm)	92	135	158	158	198
Other Specifications					
Condensation (blocks of rock wool in sealed bags)	2	3	3	4	6
Door type	Lift-off	Lift-off	Lift-off	Lift-off	Lift-off
Weight (kg)	12	15.6	17.2	23	27
Pieces per pallet	24	14	12	8	7

¹⁾ Similar to RAL 6014

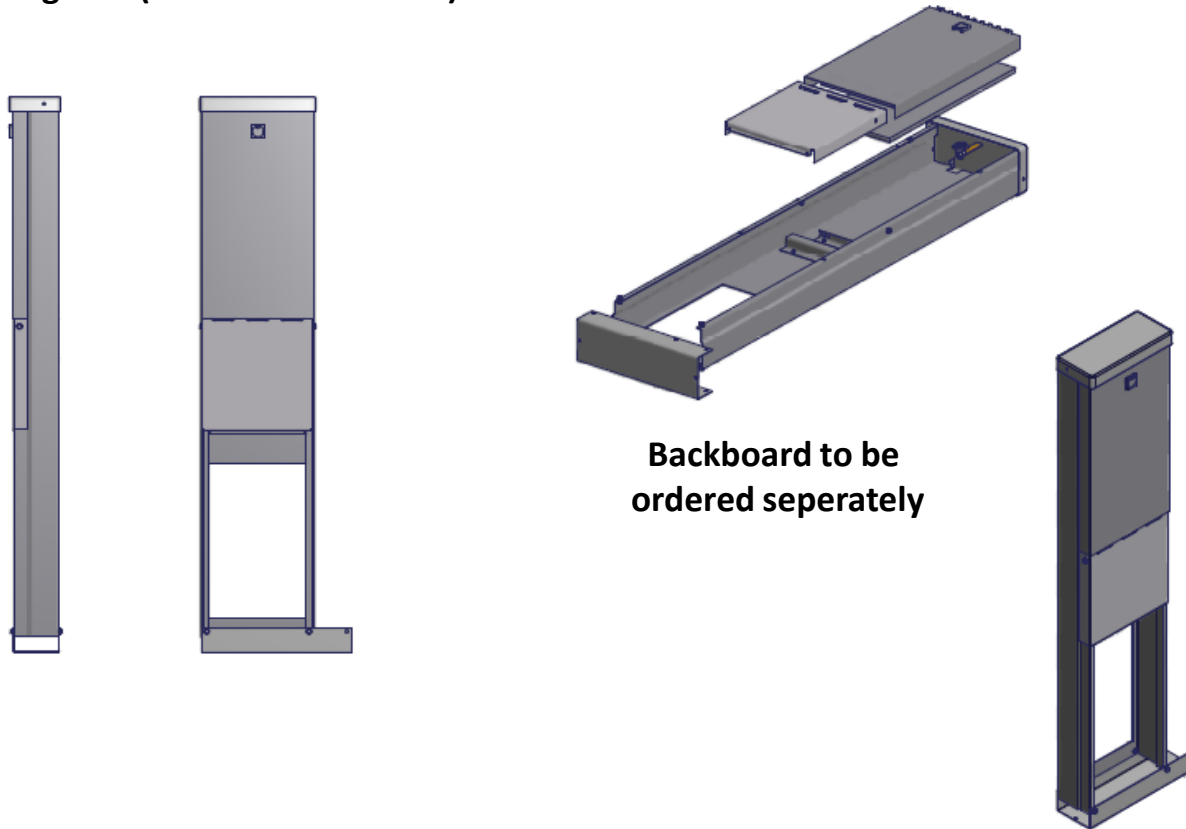
- 1) Standard green similar to RAL 6014

Type 35SA-2R

Part number:

235201 – RAL 7037 (grey)

235205 – standard green (similar to RAL 6014)

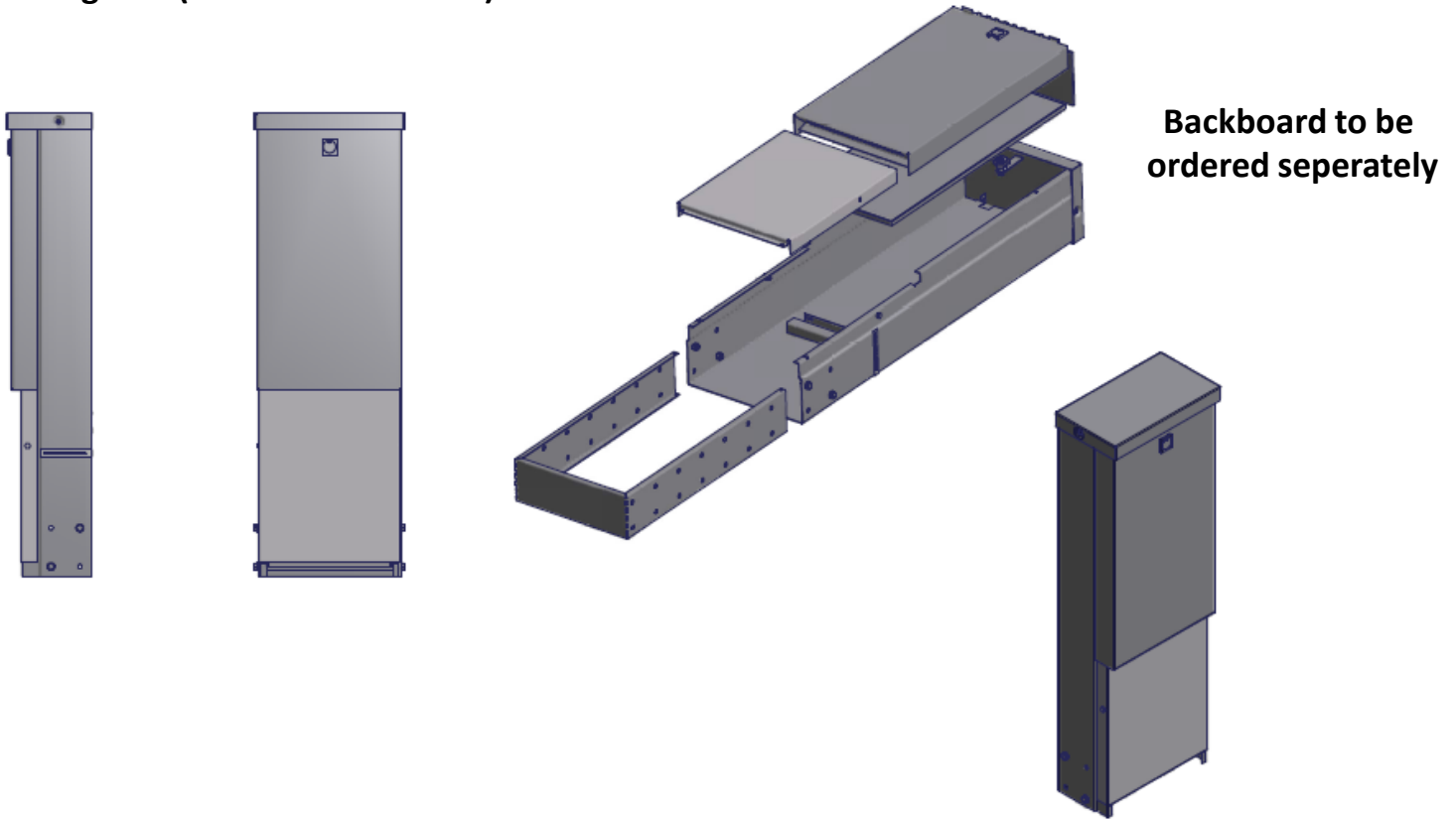


Type 35SA-2.5R

Part number:

235251 – RAL 7037 (grey)

235255 – standard green (similar to RAL 6014)





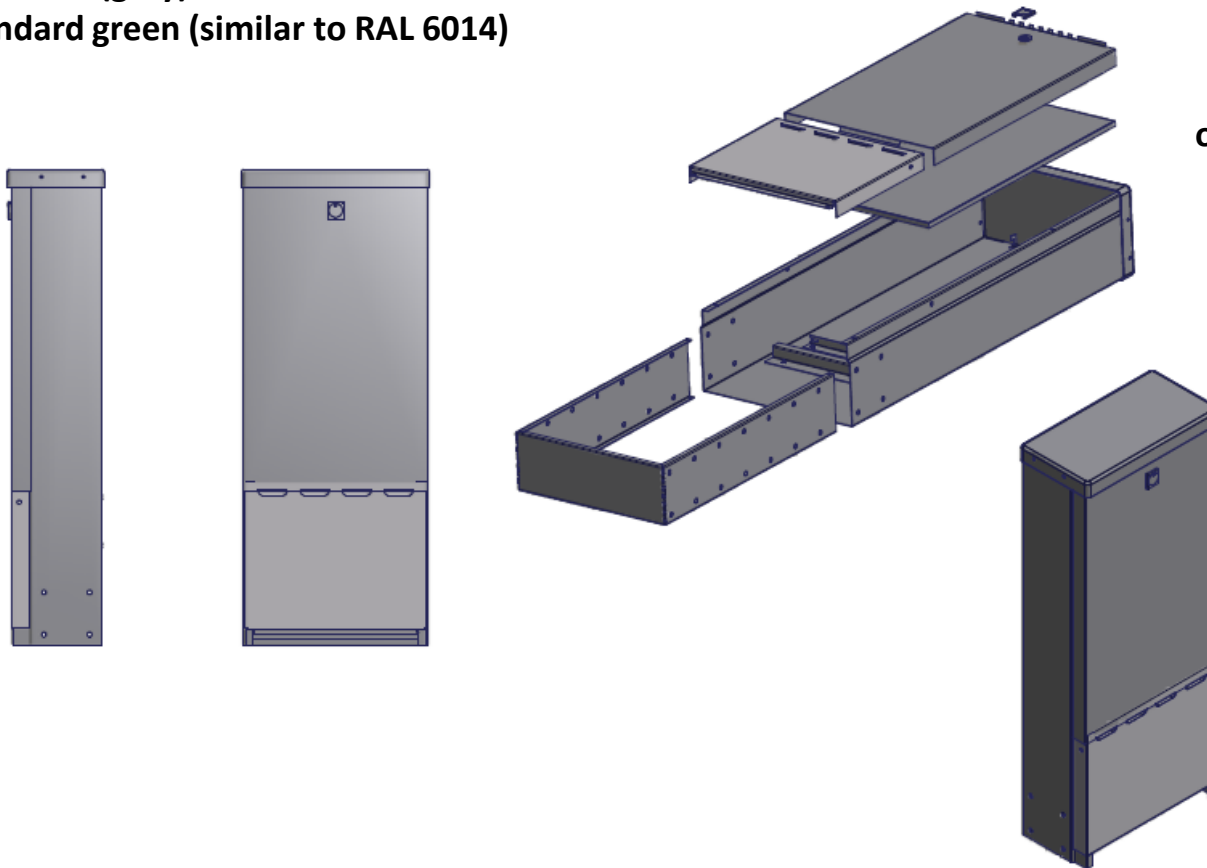
triarca

Type 35SA-3R

Part number:

235301 – RAL 7037 (grey)

235305 – standard green (similar to RAL 6014)



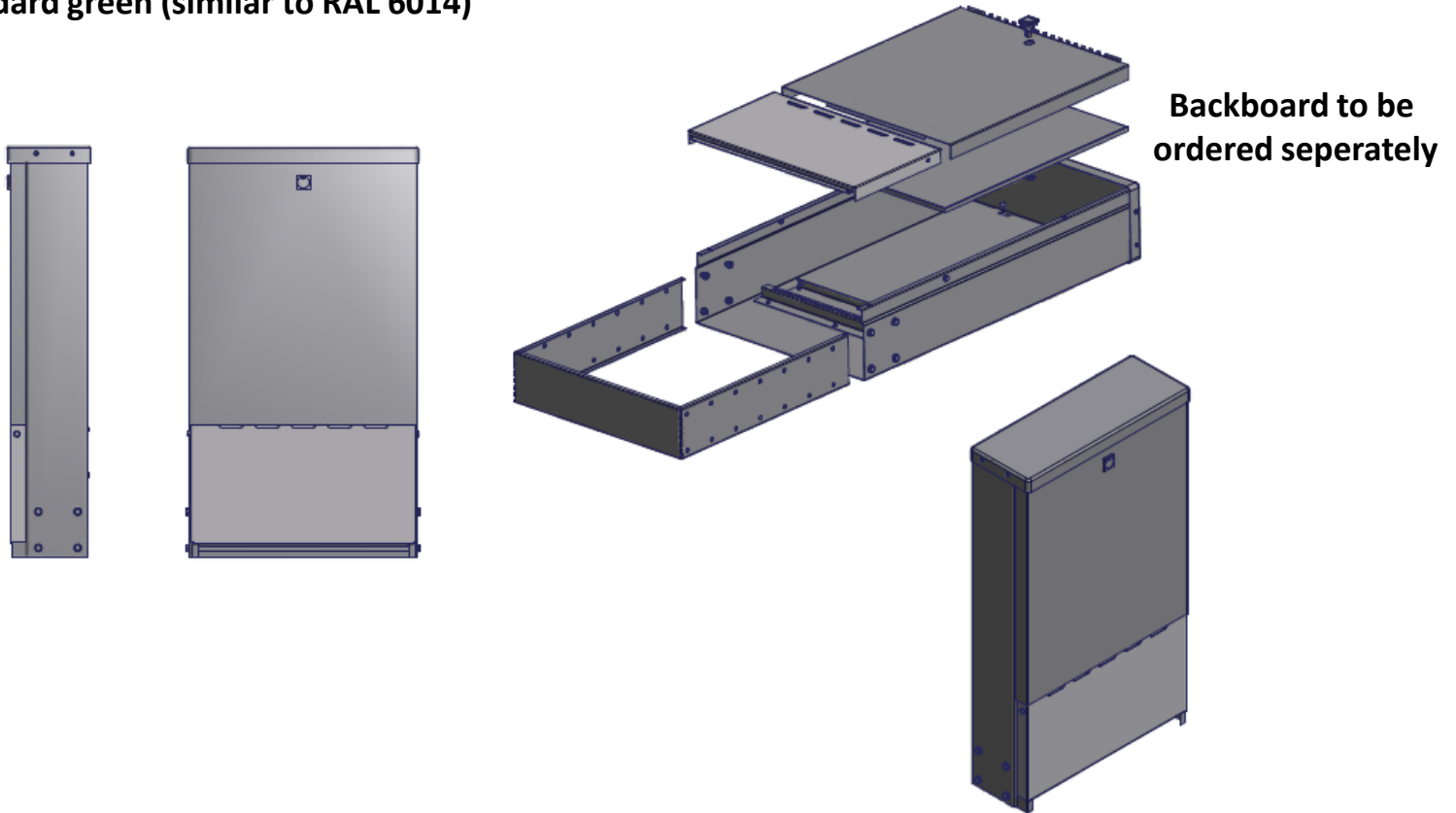
**Backboard to be
ordered separately**

Type 35SA-4R

Part number:

235401 – RAL 7037 (grey)

235405 – standard green (similar to RAL 6014)

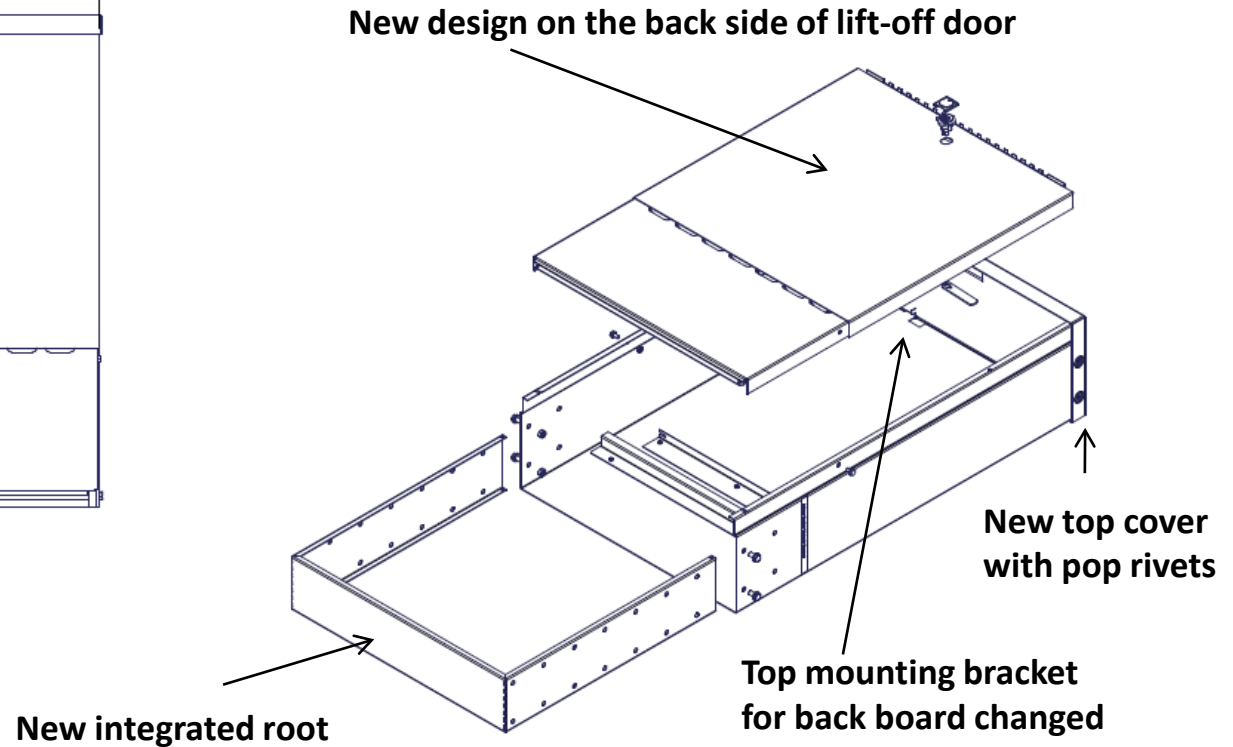
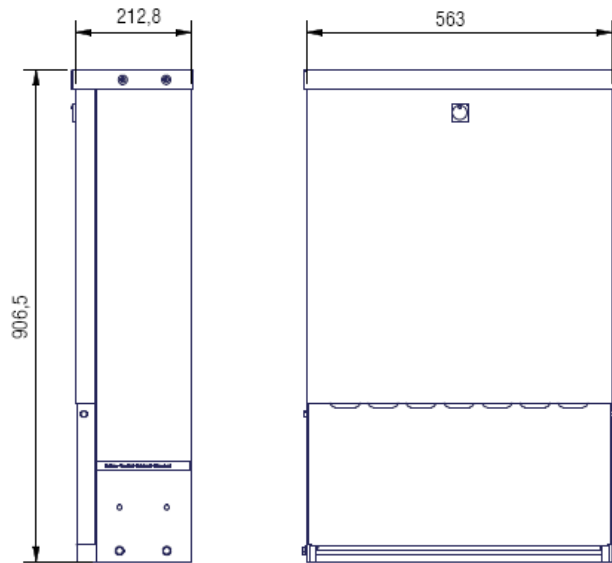


Type 35SA-6R

Part number:

235601 – RAL 7037 (grey)

235605 – standard green (similar to RAL 6014)

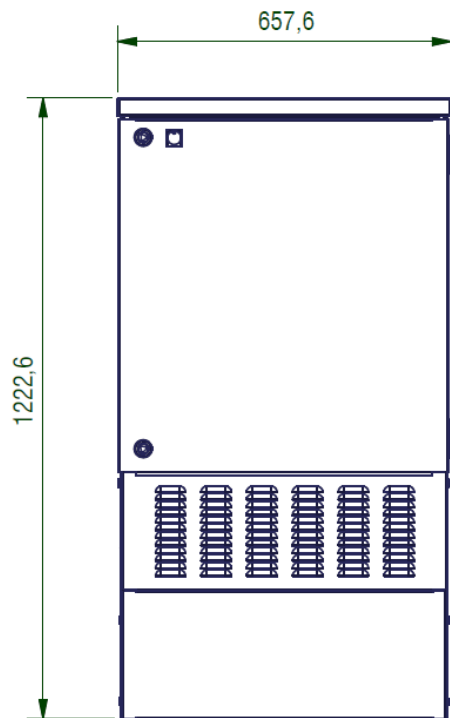


Type 35SA-7R

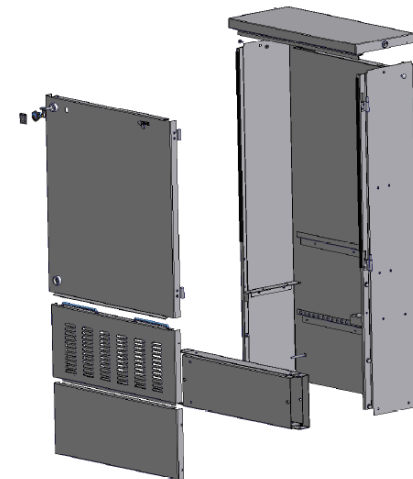
Part number:

235701 – RAL 7037 (grey)

235706 – standard green (similar to RAL 6014)



- Solution with one hinged door
- 2x single cam locking system triangular
- Cylinder lock protected with flap
- Louvres for extra ventilation
- One compartment in enclosure
- Earthing point
- Weight 54 kgs
- 4 pcs. on a pallet

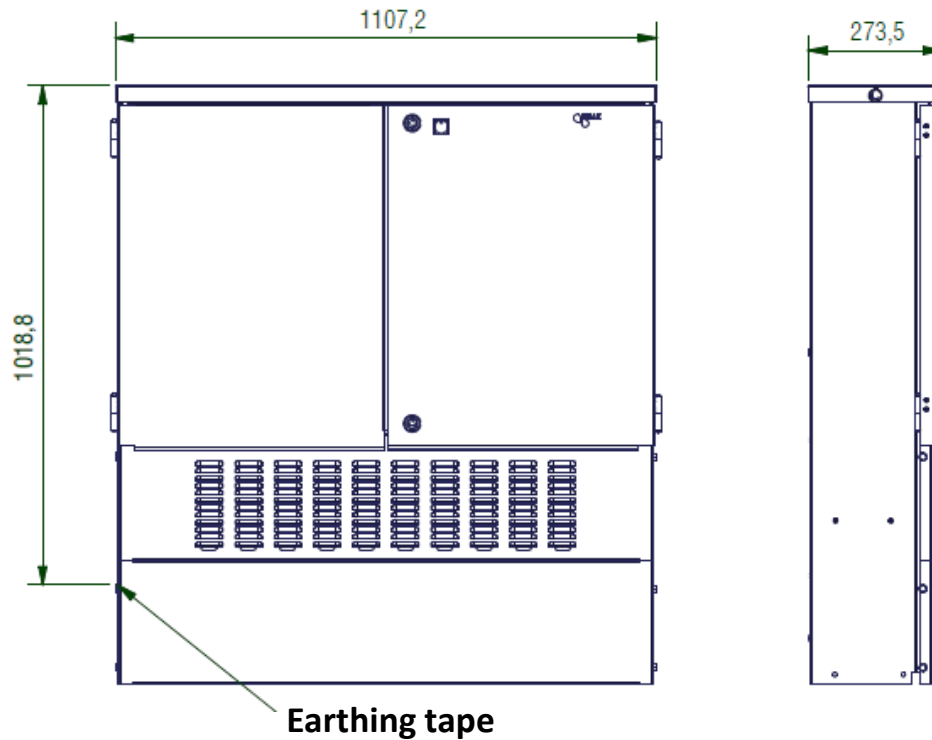


Type 35SA-10R

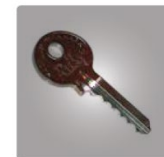
Part number:

235801 – RAL 7037 (grey)

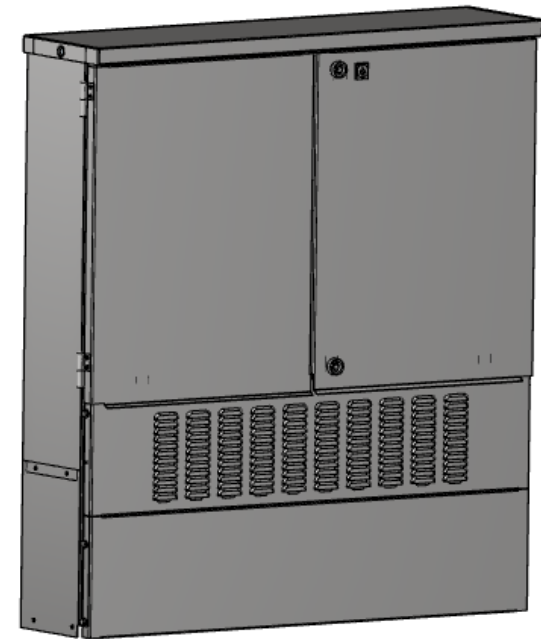
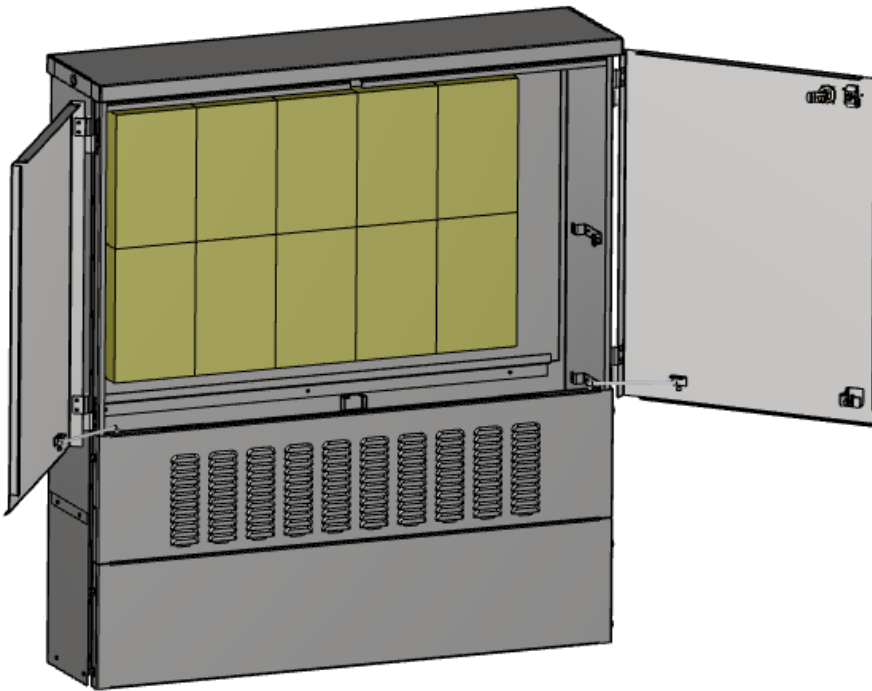
235806 – standard green (similar to RAL 6014)



- Solution with two hinged door**
- 2x single cam locking system - triangular**
- Cylinder lock protected with flap**
- Louvres for extra ventilation**
- One compartment in enclosure**
- Earthing point**
- Weight 83 kgs**
- 3 pcs. on a pallet**

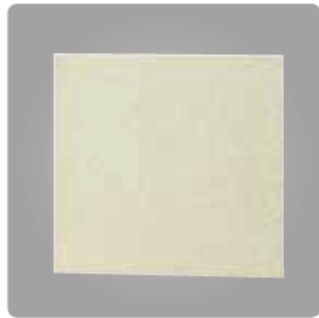


Type 35SA-10R



Hinged doors for easy access

Back boards for type 35 SA



Moisture-resistant chipboard

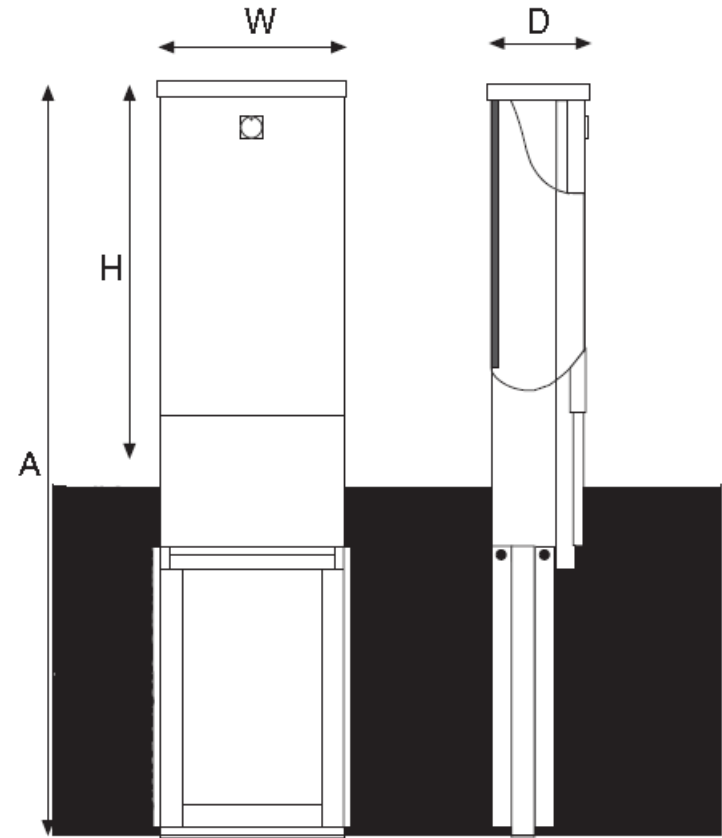
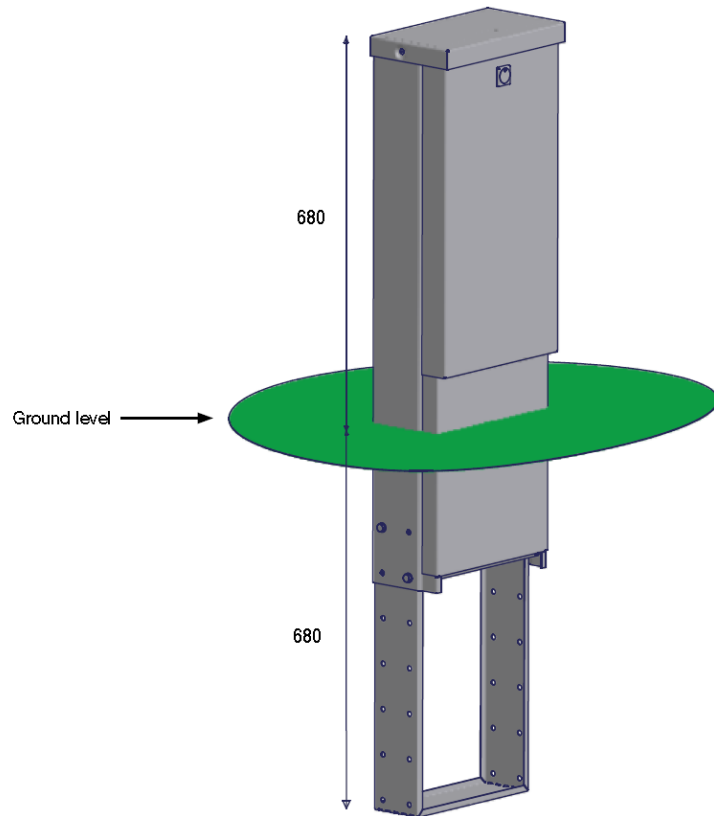


Moisture-resistant chipboard with aluminium

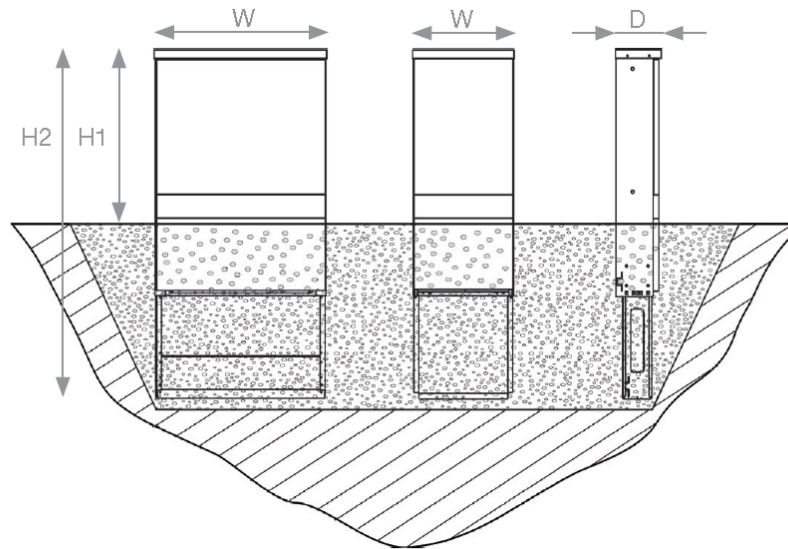
To be ordered separately

Type	35SA-1MP	35SA-2R	35SA-2.5R	35SA-3R	35SA-4R	35SA-6R	35SA-7R	35SA-10R
Moisture-resistant chipboard	161180	161820	161825	161830	161840	161860	161790	161090
Height (mm)		490	600	600	600	600		
Width (mm)		220	254	310	460	520		
Depth (mm)		10	10	10	10	10		
Moisture-resistant chipboard with alu	161183	161823	161828	161833	161843	161863	161793	161093
Height (mm)		490	600	600	600	600		
Width (mm)		220	254	310	460	520		
Depth (mm)		10	10	10	10	10		

Ground level



In-ground installation



In-ground installation
(Illustration)

In-ground installation

In order to optimise lifetime, the enclosure must be buried in pure sand (i.e. without clay content) in order to drain away rainwater effectively.

To ensure sufficient drainage, we recommend a minimum layer of 300 mm sand surrounding the enclosure in the ground. Care must also be taken on installation to avoid galvanic corrosion.

On the side of the enclosure a marking tape is showing the recommended “ground level”. We recommend burial of the plinth so that the marking tape is up to approx. 50 mm above the finished ground level as the terrain may change over time and cover i.e. the louvres.